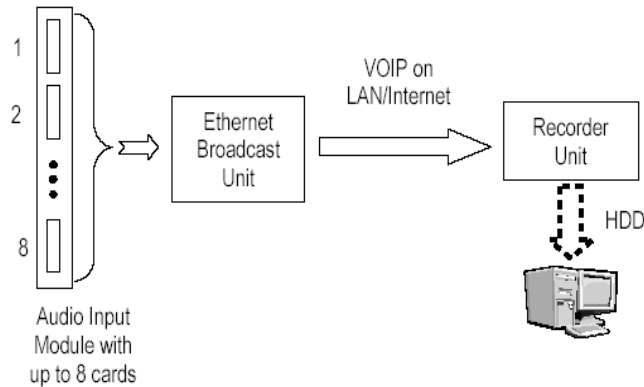


Clarifying Multi Channel Digital Recorder System (CMDR)

- Digitizes and records up to 64 microphone or line-level audio inputs simultaneously
- Captures and transports multi-channel audio in buildings and vehicles
 - Surveillance installations
 - Communication Centers
 - Disaster Response vehicles
 - Microphone Arrays
- Use it to record on location in the field
 - Small
 - Portable
 - Mains or Battery Powered
 - Simple to operate
- Evidence-quality audio
 - Uncompressed
 - Time stamped
 - Integrity checked
- Streaming VOIP solution for LAN and Internet applications



Clarifying Multi-channel Digital Audio Recording System

Clarifying's new multi-channel recording system is a convenient and flexible way to capture, transport, and store audio. Never before has it been feasible to record high quality, long duration audio from so many audio sources, particularly on location in the field.



Audio Input Module (AIM)
Accepts up to 8 cards



Ethernet Broadcast Unit (EBU)
Controls AIM and streams audio over Ethernet



Hard Disk Recorder
Receives streaming audio and stores on USB2 disk drive



Clarifying Technologies Inc. • USA • TEL 1 919.676.0053 • FAX 1 919.676.0863
Clarifying Technologies Ltd. • UK • TEL +44 (0) 1865 310 087 • FAX +44 (0) 1865 318 947

www.clarifyingtech.com • sales@clarifyingtech.com

Specifications subject to change without notice. ©2004-2005 Clarifying Technologies. All rights reserved.

Clarifying

Multi Channel Digital Recorder System (CMDR)

Description

A CMDR system is comprised of up to eight Audio Input Modules (AIMs), an Ethernet Broadcast Unit (EBU), and a Recorder Unit. Each AIM housing accepts up to eight digitizer cards, each having 8 microphone or line level audio inputs, simultaneously digitizes them, and passes the digitized multi-channel audio on to the EBU. The EBU formats the audio and streams it out over Ethernet. At the remote location, the Recorder Unit receives the Ethernet audio stream and stores it as a multi-channel WAV file on a removable USB2 Hard Disk Drive (HDD). Then simply connect the HDD to any personal computer and play the multi-channel audio file using the included Clarifying Audio Media Player software or your own commercial sound editor. The included audio software allows the user to select individual channels for playback and/or recording. Optional upgrades to the audio software are available for real-time audio restoration & enhancement and spatial filtering (beamforming). Contact Clarifying for information about optional kit, individual enclosure, and rack mount configurations. The CMDR can be powered from a wide variety of sources, such as automobile supply (12VDC), A/C mains adapter, or external batteries.

The system is compatible with standard commercial USB2 HDDs. The current size supplied with the unit is 60GB, which is sufficient to store over 5 hours of 64 channel audio. Disk space is managed so that recording fewer channels extends recording time proportionally. An additional USB2 HDD can be attached for even longer record times using the external port on the rear panel of the recorder.

Specifications

AIM	
Sample Rate:	16 kHz
Bit Depth:	24 bit codec
Codec:	Delta-Sigma, 128x oversampling
Source Types:	Mic or Line, selectable at EBU
Number of Sources:	8 cards (8 inputs each) per AIM housing;
Gain Selections:	Mic – 10dB, 25dB, 50dB Line – 0dB, 10dB, 25dB
Operating Temp:	5 to 35 °C
Power (input):	9 VDC (supplied by EBU)
EBU	
Audio Inputs:	Up 64 channels via ribbon cables from AIM housing
Ethernet Format:	100BaseT
Streaming Format:	UDP
Operating Temp:	5 to 35 °C
Dimensions:	Width 191 mm x Depth 218 mm x Height 66 mm
Weight:	1.4 kg
Power/Current (input):	9-18VDC; approximately 300 mA for EBU, plus AIM cards, yielding 1.9A for EBU + 8 AIM
Recorder	
Audio Input:	Up to 64 channels of streaming 100BaseT Ethernet audio (from EBU)
Storage Format:	Multi-channel WAV, 24 bit, 22.5 kHz, uncompressed
Media Type:	USB2 HDD
Disk Format:	EXT2
USB2 Ports:	1 internal (access via slide tray) and 1 external
Operating Temp:	5 to 35 °C
Dimensions:	Width 191mm x Depth 218 mm x Height 66 mm
Weight:	2.0 kg
Power/Current (input):	9-18VDC; 1.2 A (peak at 2.5A)
Data Protection:	Internal momentary back-up battery (for orderly shutdown on power loss only)

Clarifying Technologies Inc. • USA • TEL 1 919.676.0053 • FAX 1 919.676.0863
Clarifying Technologies Ltd. • UK • TEL +44 (0) 1865 310 087 • FAX +44 (0) 1865 318 947

www.clarifyingtech.com • sales@clarifyingtech.com

Specifications subject to change without notice. ©2004-2005 Clarifying Technologies. All rights reserved.